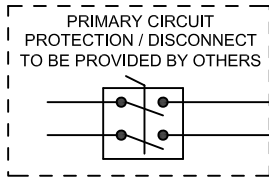


240 VOLT 1Ø 85 AMPS

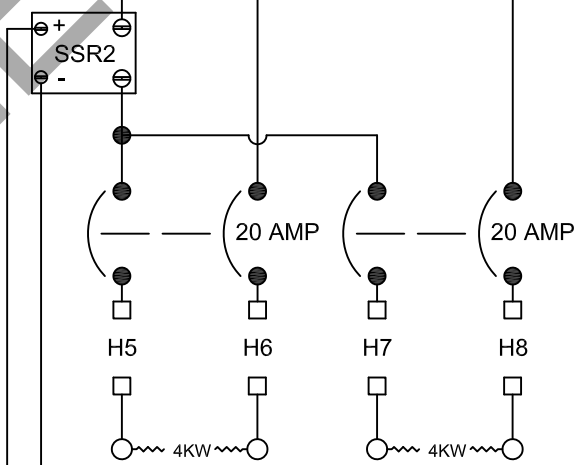
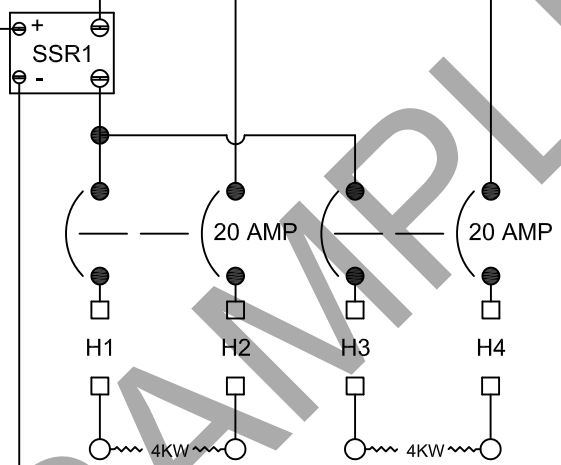
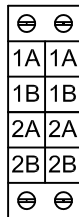


L1
L2

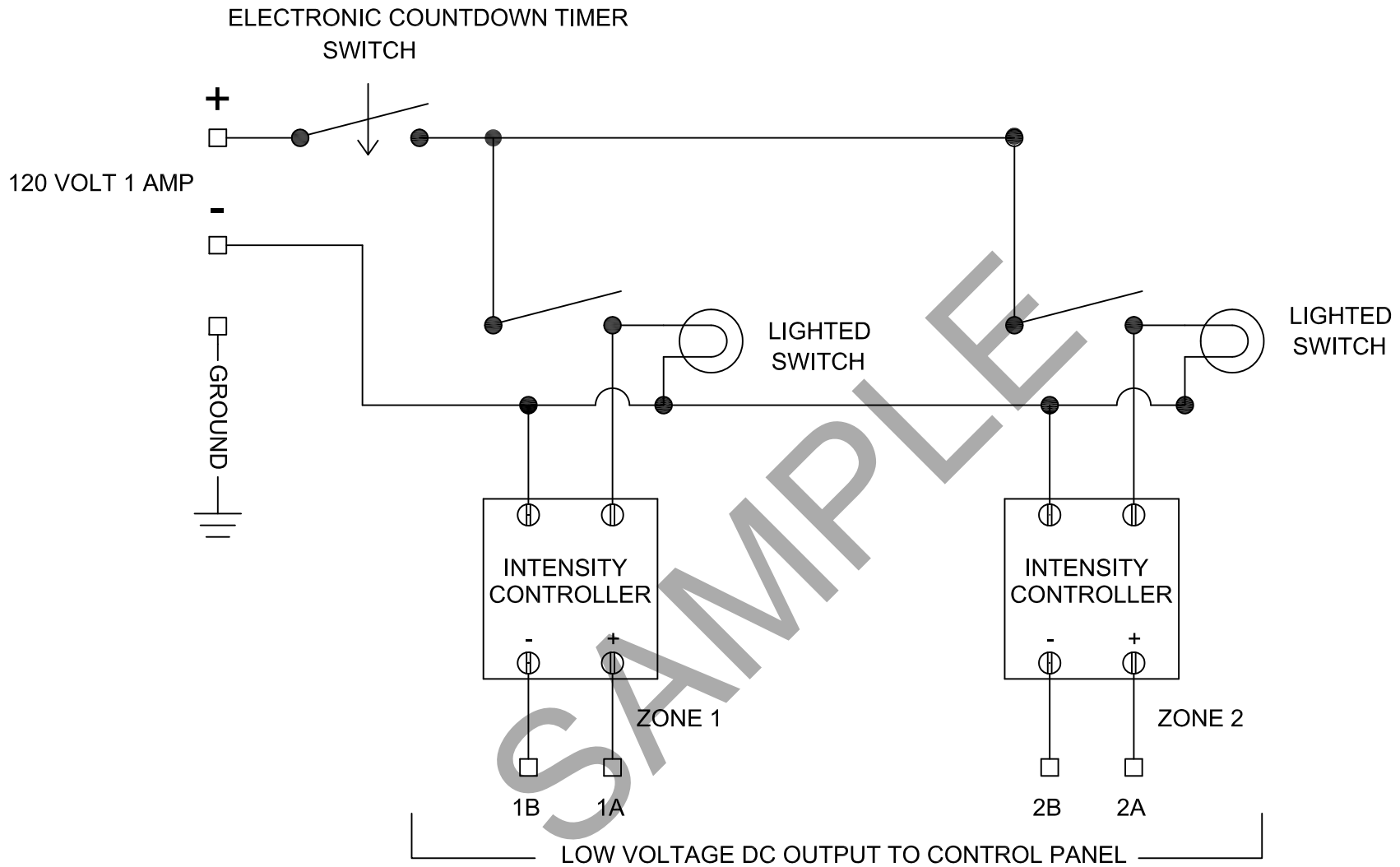
RELAY 1
8 KW MAX

RELAY 2
8 KW MAX

LOW VOLTAGE DC INPUT
FROM ANALOG CONTROLLER



		344 W. 157th Street Gardena, California 90248 Phone: (310) 354-1250 Fax: (310) 523-3674	
		www.infratech-usa.com	
DESCRIPTION 2 RELAY CONTROL PANEL 240 VOLT SINGLE PHASE 85 AMPS			
CUSTOMER Sample			
DATE		ITEM# 30-4052	
		JOB#	UL#



NOTE: USE TWISTED PAIR OR SHIELDED
WIRE FOR LOW VOLTAGE HOOK-UP.

INFRA TECH www.infratech-usa.com		344 W. 157th Street Gardena, California 90248 Phone: (310) 354-1250 Fax: (310) 523-3674
DESCRIPTION		2 ZONE REMOTE INTENSITY CONTROL UNIT WITH INTERMATIC ELECTRONIC IN-WALL TIMER (30-60-120-240 MIN.)
CUSTOMER		Sample
DATE	ITEM#	30-4046
	JOB#	